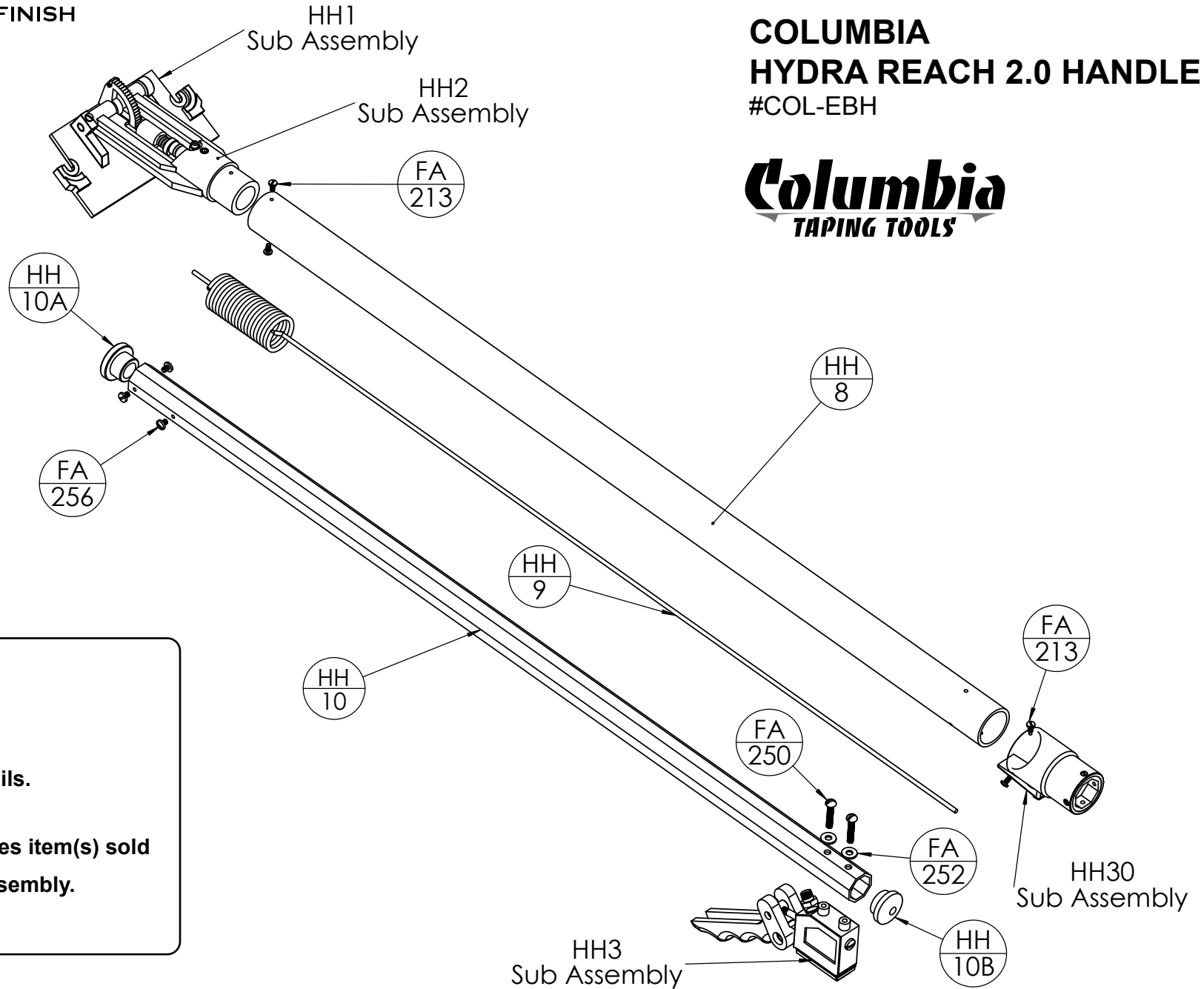


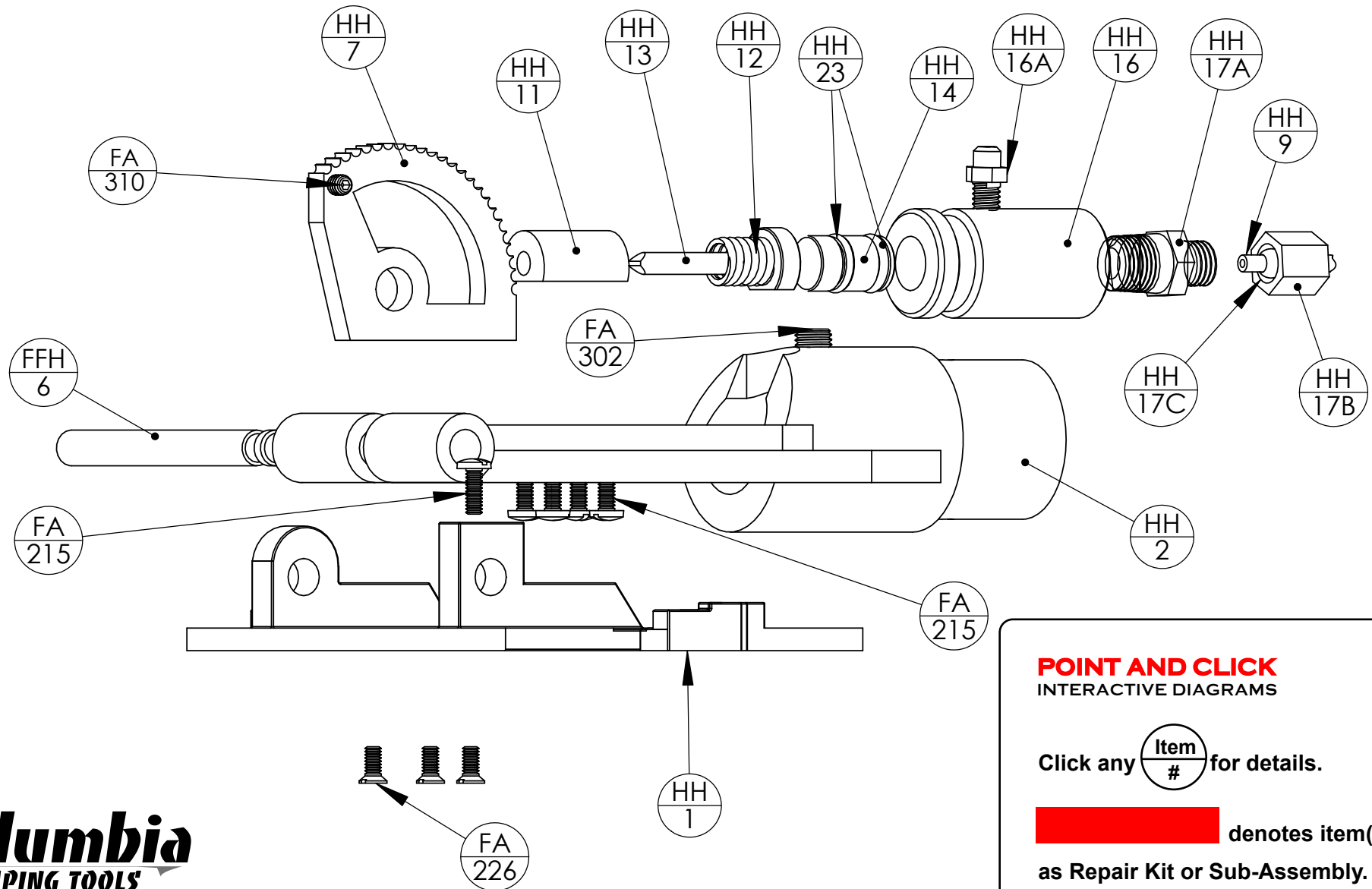
### COLUMBIA HYDRA REACH 2.0 HANDLE #COL-EBH



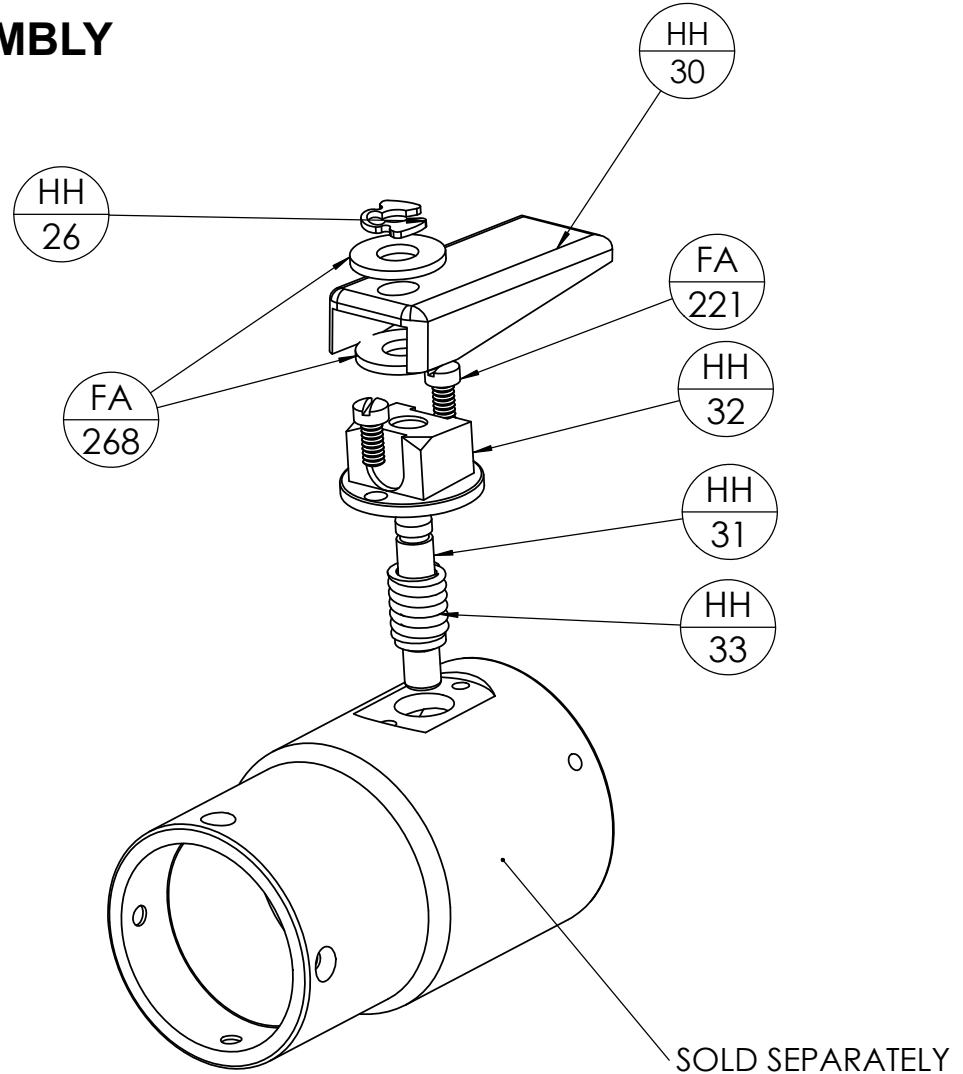
**POINT AND CLICK**  
INTERACTIVE DIAGRAMS

Click any  for details.

 denotes item(s) sold as Repair Kit or Sub-Assembly.



### COLUMBIA HYDRA REACH 2.0 HANDLE HH30 EXTENSION TRIGGER SUB-ASSEMBLY

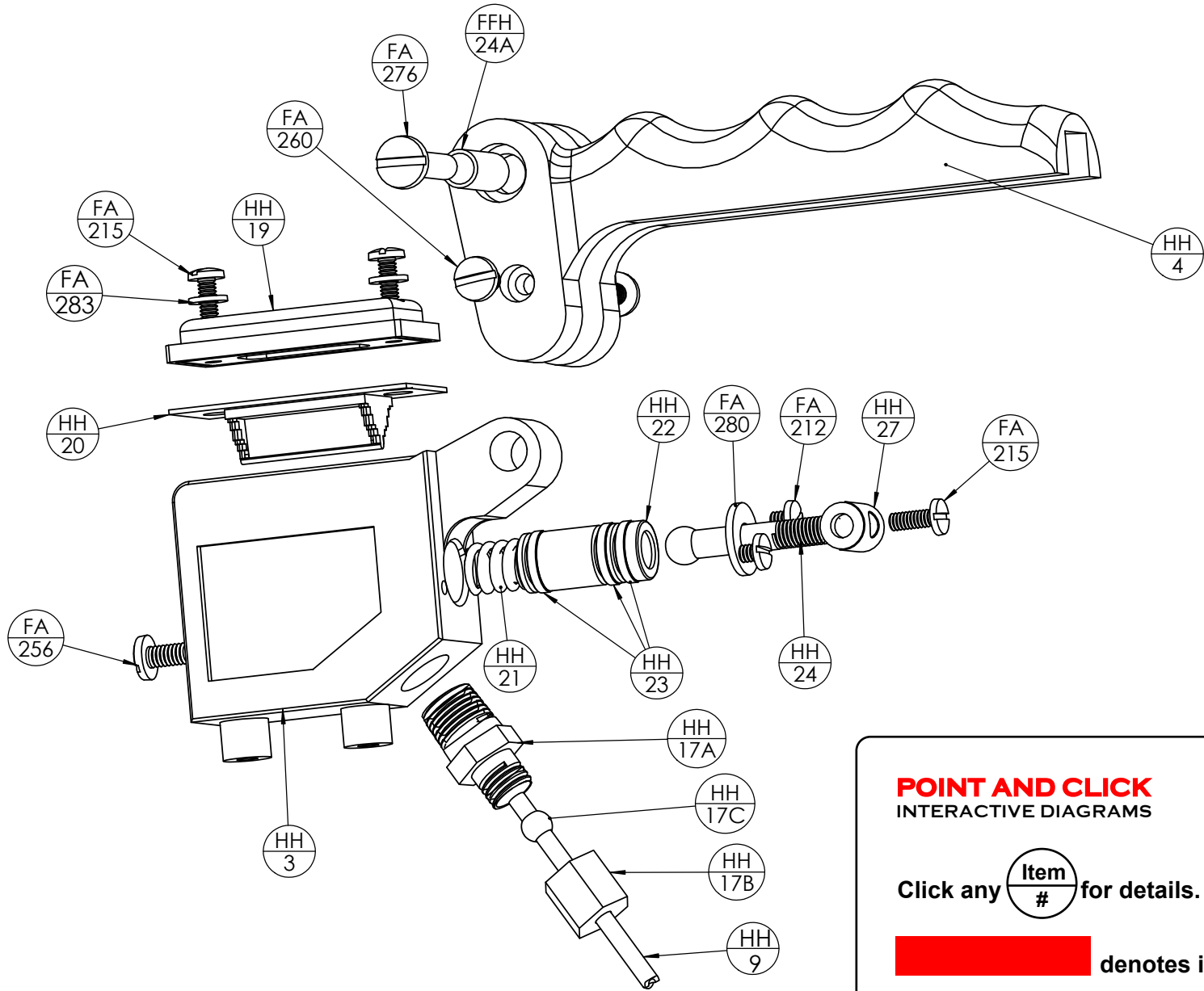


#### POINT AND CLICK INTERACTIVE DIAGRAMS

Click any  for details.

 denotes item(s) sold as Repair Kit or Sub-Assembly.

**Columbia**  
TAPING TOOLS



**POINT AND CLICK**  
INTERACTIVE DIAGRAMS

Click any  for details.

 denotes item(s) sold as Repair Kit or Sub-Assembly.