

HTX 2030 Applicator

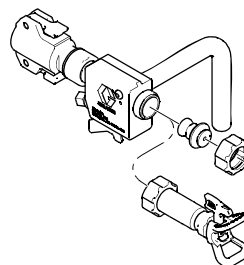
Model: 24B327



313537D



IMPORTANT SAFETY INSTRUCTIONS. Refer to your sprayer instruction manual for Pressure Relief, priming and spray instructions. Keep these instructions.



ti13583a

Maximum Fluid Working Pressure: 1,000 psi (6.9 MPa, 69 bar)
Maximum Air Working Pressure: 250 psi (1.7 MPa, 17 bar)

- For Water-Based Materials Only -

The following Warnings are for the setup, use, grounding, maintenance and repair of this equipment. The exclamation point symbol alerts you to a general warning and hazard symbols refer to procedure-specific risks. Refer back to these Warnings. Additional, product-specific warnings may be found throughout the body of this manual where applicable.



WARNINGS



PRESSURIZED EQUIPMENT HAZARD

Fluid from the applicator/dispense valve, leaks, or ruptured components can splash in the eyes or on skin and cause serious injury.

- Follow **Pressure Relief Procedure** in this manual, when you stop spraying and before cleaning, checking, or servicing equipment.
- Tighten all fluid connections before operating the equipment.
- Check hoses, tubes, and couplings daily. Replace worn or damaged parts immediately.



FIRE AND EXPLOSION HAZARD

Flammable fumes, such as solvent and paint fumes, in **work area** can ignite or explode. To help prevent fire and explosion:

- Keep work area free of debris, including solvent, rags and gasoline.
- Ground all equipment in the work area. See **Grounding** instructions.
- If there is static sparking or you feel a shock, **stop operation immediately**. Do not use equipment until you identify and correct the problem.



EQUIPMENT MISUSE HAZARD

Misuse can cause death or serious injury.

- Do not operate the unit when fatigued or under the influence of drugs or alcohol.
- Do not exceed the maximum working pressure or temperature rating of the lowest rated system component. See **Technical Data** in all equipment manuals.
- Use fluids and solvents that are compatible with equipment wetted parts. See **Technical Data** in all equipment manuals. Read fluid and solvent manufacturer's warnings. For complete information about your material, request MSDS forms from distributor or retailer.

- Check equipment daily. Repair or replace worn or damaged parts immediately with genuine manufacturer's replacement parts only.
- Do not alter or modify equipment.
- Use equipment only for its intended purpose. Call your distributor for information.
- Route hoses and cables away from traffic areas, sharp edges, moving parts, and hot surfaces.
- Do not kink or over bend hoses or use hoses to pull equipment.
- Keep children and animals away from work area.
- Comply with all applicable safety regulations.



PERSONAL PROTECTIVE EQUIPMENT

You must wear appropriate protective equipment when operating, servicing, or in the operating area of the equipment to help protect you from serious injury. This equipment includes but is not limited to:

- Protective eyewear and hearing protection
- Clothing and respirator as recommended by the fluid and solvent manufacturer
- Gloves

Pressure Relief Procedure



WARNING



Follow this **Pressure Relief Procedure** whenever instructed to relieve pressure, stop spraying, check or service equipment, or install or clean spray tip.

1. Shut off gasoline engine or unplug electric power cord and turn sprayer pressure control to lowest pressure setting.
2. Open drain valve at sprayer and verify pressure has been relieved into supply pail.

If you suspect spray tip or hose is clogged or that pressure has not been fully relieved after following the steps above, place thick rag over connection between hose and sprayer or applicator. Slowly loosen connection to relieve pressure gradually. Clear hose or tip obstruction.

Airless Spray Setup



WARNING



To prevent injury when the applicator is not in use, always relieve pressure if sprayer is being shut down or left unattended.

Make sure pressure control is turned off and gasoline engine is shut off or power cord is unplugged from power source. Refer to your sprayer instruction manual for priming and spray instructions.

Connect Applicator to Sprayer

1. Attach supply hose to sprayer fluid outlet.
2. Attach other end of supply hose to applicator swivel (13).
3. Refer to sprayer instruction manual for priming instructions.

Install Fluid Filter or Plug

1. When spraying fluids with small aggregates, install filter support (21) and filter (20, 20a) to reduce tip clogging.
2. When spraying with large spray tips and fluids with larger aggregates, install plug (20b) to prevent fluid from entering air passage in housing (1).

Install Applicator Tip and Guard



WARNING



1. If equipment has recently been operated, **relieve pressure**.
2. Using a pencil or similar object, insert seal (25) into back of guard (32).

3. Install guard (32) onto end of applicator.
4. Insert tip (31) in guard (32). Tighten retaining nut.

Operation

Spraying

1. Be sure the arrow shaped tip (31) faces forward (spray).
2. Hold applicator perpendicular and approximately 40 in. (1 m) from surface. Move applicator first, then open applicator to spray a test pattern.
3. Slowly increase pump pressure until coverage is uniform and even (see sprayer instruction manual for additional information).

Aligning Spray



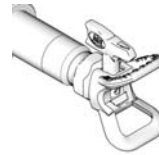
WARNING



1. Relieve pressure.

2. Loosen guard retaining nut.
3. Align guard (32) horizontally to spray a horizontal pattern.
4. Align guard (32) vertically to spray a vertical pattern.

(3) Horizontal



ti11908a

(4) Vertical



ti11909a

Clearing Clogs



WARNING

1. Relieve pressure (see **Pressure Relief** procedure).
2. Rotate tip (31) 180°. Open applicator into hopper or onto ground to remove clog.
3. Rotate tip (31) 180° back to spray position.

Cleanup

Thoroughly flush applicator after each work session before fluid begins to cure in applicator. Remove check valve (2) and clean all residue from air passages. Store in a dry location. Do not leave the applicator or any parts in water or cleaning solvents.

NOTE: Check valve (15) will be damaged if any object is inserted into valve.

Air Spray Setup



WARNING



To prevent injury when the applicator is not in use, always relieve pressure if sprayer is being shut down or left unattended.

Connect Applicator to Sprayer

1. Attach supply hose to sprayer fluid outlet.
2. Attach other end of supply hose to applicator swivel (13).
3. Install air hose to applicator check valve (15).
4. Refer to sprayer instruction manual for priming instructions.

Install Applicator Air Nozzle



WARNING



1. If equipment has recently been operated, **relieve pressure**.
2. Install air nozzle (10, 27, 28, 29) and retaining ring (11).

Operation

Spraying

1. Set material flow (see sprayer instruction manual for additional information).
2. Spray test pattern
3. Turn air knob on and adjust, and/or select another air nozzle, for desired pattern.

Note: Air continues to flow when handle is in off position to keep material out of air passages.

Cleanup

Flush applicator after each work session before fluid begins to cure in applicator. Remove check valve (15) and clean all residue from air passages. Store in a dry location. Do not leave the applicator or any parts in water or cleaning solvents.

NOTE: Check valve (15) will be damaged if any object is inserted into valve.

Spool Valve Repair



WARNING

Before performing any maintenance on applicator, read all warnings on front cover of this manual and **relieve pressure**.

Spool Valve Removal

1. Remove screw (3d) and handle (8) from spool (3).
2. Remove retaining ring (3c) and bearing (3b).
3. Remove spool (3) from housing (1).

Spool Valve Installation

1. Apply grease (supplied with Kit 24B329) to spool, o-rings and bearing and inside of housing.
2. Assemble o-rings onto spool.
3. Install spool in housing and bearing. Secure with retaining ring (3c).
4. Install handle with screw.



All sealing surfaces must be clean to prevent leaks and damage to equipment.

Technical Data

| | |
|--------------------------------|---|
| Maximum fluid working pressure | 1000 psi (6.9 MPa, 69 bar) |
| Maximum air working pressure | 250 psi (1.7 MPa, 17 bar) |
| Air Requirements | 30 scfm (0.84 m3/min) Maximum |
| Fluid Inlet Size | 1 in.(m) cam and groove (Graco HP) |
| Air Inlet Size | 1/4 npsm(m) |
| Wetted Parts | Aluminum, stainless steel, PE, POM, polyurethane, nitrile, nylon, PVC, tungsten carbide |
| Weight † | 2.9 lb (1,3 kg) |
| Height | 5.8 in. (14,7 cm) |
| Width | 7.0 in. (17,8 cm) |
| Length † | 12.7 in. (32,3 cm) |

Sound Data without Air (applicator only):

| | |
|----------------------|----------|
| Sound Pressure Level | 84dB(A)* |
| Sound Power Level | 83dB(A)* |

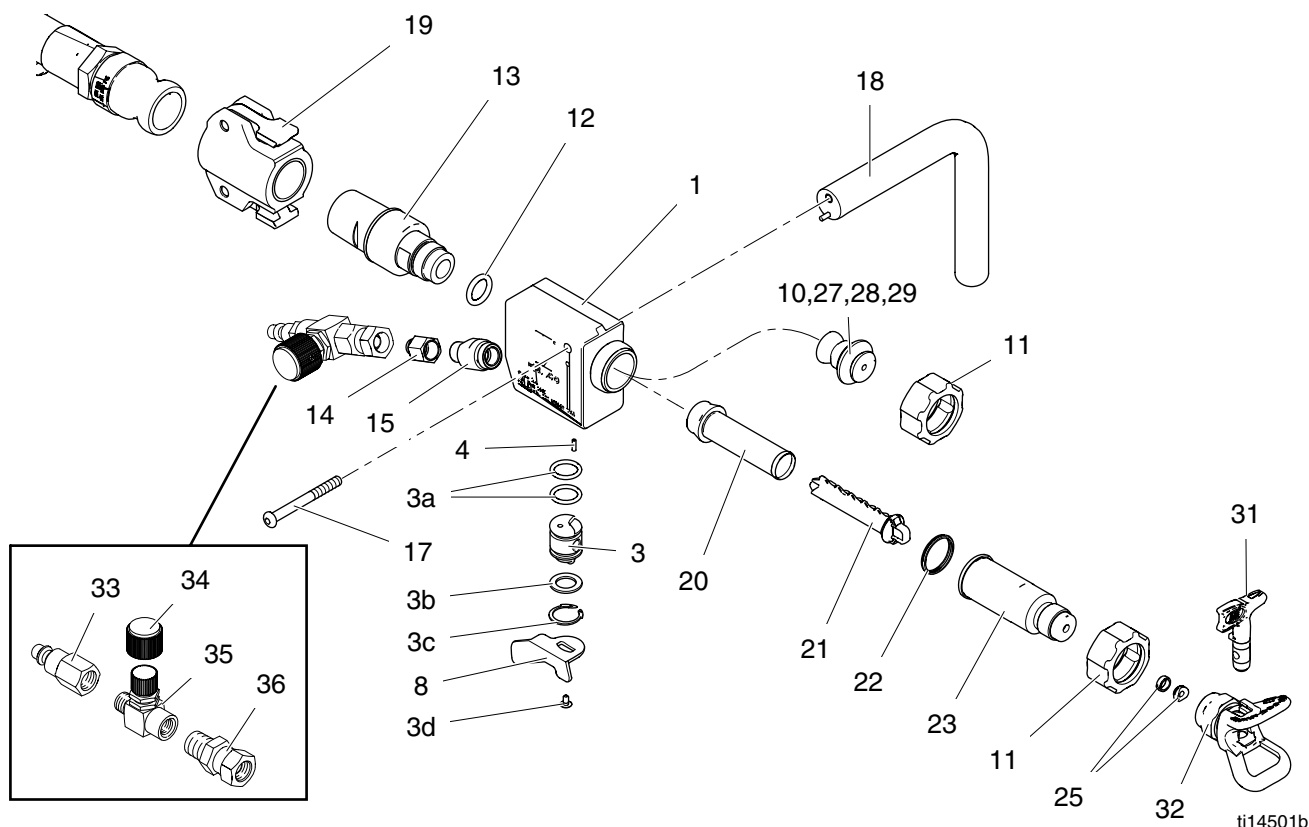
Sound Data with Air (applicator only):

| | |
|----------------------|-----------|
| Sound Pressure Level | 118dB(A)* |
| Sound Power Level | 118dB(A)* |

* Spraying simulated acoustical texture under typical conditions as specified by the material manufacturer.

† Airless configuration

Parts



| Qty. | Part | Description | Qty. | Qty. | Part | Description | Qty. |
|------|--------|----------------------------------|------|------|--------|--------------------------------|------|
| 1 | 15W371 | HOUSING, valve, htx | 1 | 21 | 277789 | SUPPORT, filter | 2 |
| 3 | 24B329 | KIT, spool, includes 3a - 3d, 8 | 1 | 22 | 15U687 | SEAL, adapter, filter, texture | 1 |
| 3a* | 121576 | PACKING, o-ring, urethane 114 | 2 | 23 | 15D727 | ADAPTER, ghd Rac | 1 |
| 3b* | 15W376 | WASHER, bearing | 1 | 25 | 246453 | KIT, gasket and seat (5 sets) | 1 |
| 3c* | 122205 | RING, retaining, internal | 1 | 27 | 248525 | NOZZLE, 6mm, rnd | 1 |
| 3d* | 113045 | SCREW, sems, mach, phillips | 1 | 28 | 248526 | NOZZLE, 8mm, rnd | 1 |
| 4 | 122206 | PIN, drive | 1 | 29 | 248527 | NOZZLE, 10mm, rnd | 1 |
| 8* | 15W377 | HANDLE, valve | 1 | 31 | LTX671 | TIP, spray, Rac X (671) | 1 |
| 10 | 248524 | NOZZLE, 4 mm, rnd | 1 | 32 | 246215 | GUARD, Rac X | 1 |
| 11 | 15Y137 | RING, retaining, splined | 1 | 33 | 169967 | FITTING, air QD | 1 |
| 12 | 111027 | PACKING, o-ring | 1 | 34 | 121591 | KNOB, valve | 1 |
| 13 | 24B568 | SWIVEL, assy, htx | 1 | 35 | 112779 | VALVE, needle | 1 |
| 14 | 15U368 | NUT, cap, 1/4-18 npsm | 1 | 36 | 156823 | UNION, swivel | 1 |
| 15 | 289919 | KIT, check valve | 1 | | | | |
| 17 | 122521 | SCREW, machine, 1/4-20 x 2.5 | 1 | | | | |
| 18 | 24B328 | HANDLE, applicator (includes 17) | 1 | | | | |
| 19 | 289874 | COUPLER, female, qd | 1 | | | | |
| 20† | 289922 | FILTER, screen, texture, 18 mesh | 1 | | | | |
| 20a† | 289923 | FILTER, screen, texture, 30 mesh | 1 | | | | |
| 20b | 15X791 | PLUG, air, passage | 1 | | | | |

* Included in Spool Repair Kit 24B329
 † Includes support 21

For complete warranty information contact your local Graco distributor, call Graco customer service: 1-800-690-2894 or visit our website: www.graco.com.

All written and visual data contained in this document reflects the latest product information available at the time of publication. Graco reserves the right to make changes at any time without notice.

This manual contains English. MM 313537

Graco Headquarters: Minneapolis

International Offices: Belgium, China, Japan, Korea

GRACO INC. P.O. BOX 1441 MINNEAPOLIS, MN 55440-1441

02/2009