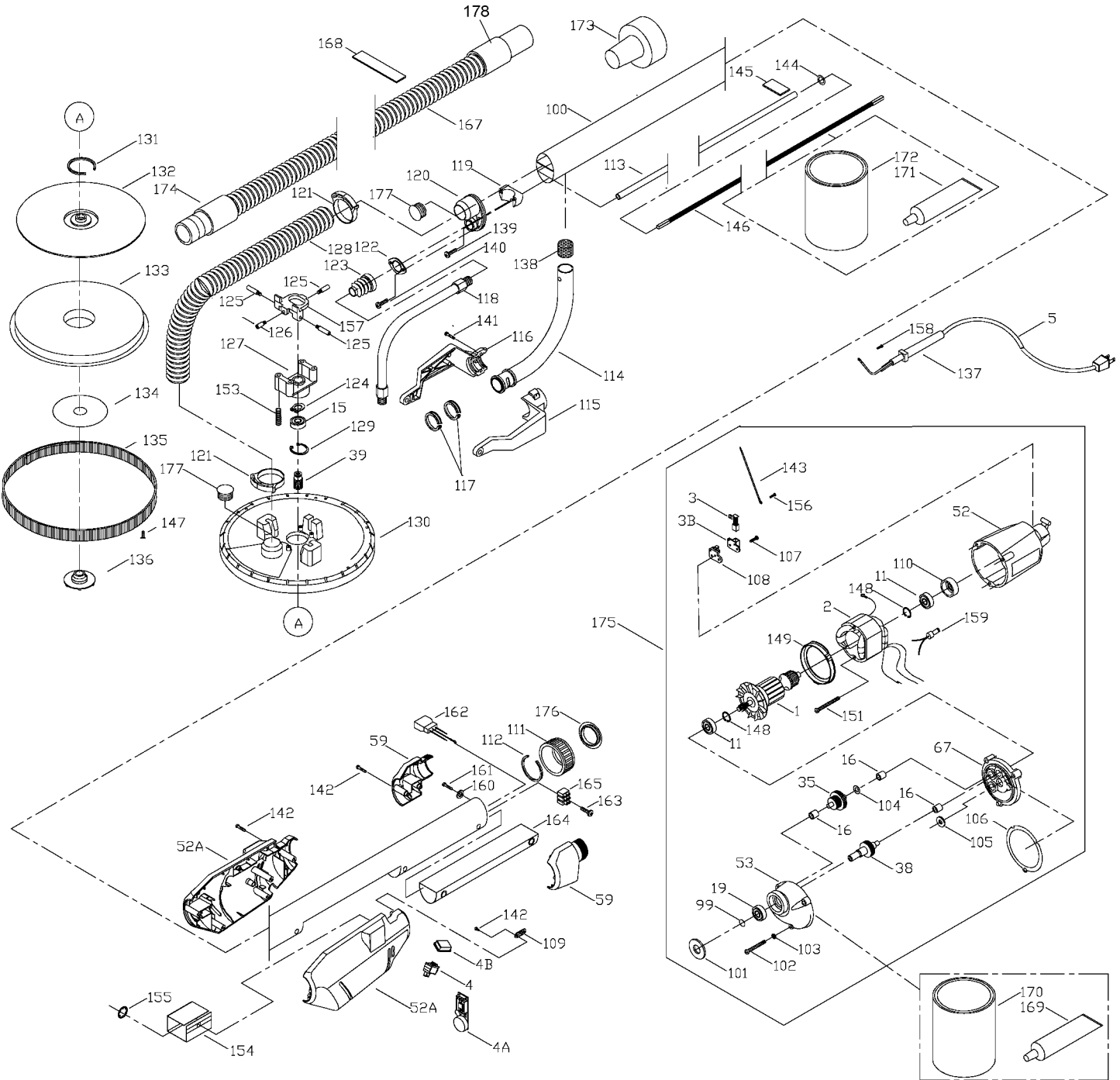


# PORTER-CABLE

## DRYWALL SANDER

WARNING: Electrical repairs should only be attempted by trained repairmen. Contact the nearest Porter-Cable Service Center or other competent repair center.

7800  
7801



## Parts List for 7800 Type 1

Item Number	Part Number	Description	Qty Required
1	885333	ARMATURE 230V	1
1	896939	ARMATURE	1
1	877753	ARMATURE	1
2	885332	FIELD 230V	1
2	896940	FIELD	1
2	877754	FIELD	1
3	879058	BRUSH	2
3	879058	BRUSH	2
3	694301	BRUSH HOLDER	2
4	887454	SWITCH (ON-OFF)	1
4	887453	SWITCH	1
4	N029762	CONTROL MODULE	1
4	877723	VARIABLE SPEED CONTR	1
4	887452	DUST SHIELD	1
4	887452	DUST SHIELD	1
5	882017	CORD & PLUG	1
5	652775-00	CORD ASSY.	1
11	855216	BEARING	2
15	330003-64	BALL BEARING	1
16	330004-00	BEARING,NEEDLE	2
16	330004-00	BEARING,NEEDLE	2
19	883096	BEARING	1
35	697674	IDLER ASSY	1
38	877787	SPINDLE GEAR ASSY	1
39	A04176	SPINDLE	1
52	876677	MOTOR HSG PKG	1
52	903845	MOTOR HSG	1

COPYRIGHT© 2005. All Rights Reserved.

Parts list, pricing, and availability subject to change. Please visit [www.walltools.com](http://www.walltools.com) for current parts information.

## Parts List for 7800 Type 1

Item Number	Part Number	Description	Qty Required
53	886654	GEAR HOUSING	1
59	885163	VACUUM ADAPT HSG SET	1
67	697684	INTERMEDIATE PLATE	1
99	859769	RET RING	1
100	882168	MAIN TUBE	1
100	885331	MAIN TUBE 230V	1
101	000000-00	No Longer Available	1
102	694015	SCREW	3
103	802648	WASHER	3
104	848741	WASHER	1
105	852714	SLINGER	1
106	698609	GASKET	1
107	864136	SCREW	2
108	694298	BRUSH INSULATOR	2
109	861434	CORD CLAMP	1
110	694432	BEARING MOUNT	1
111	877772	HOSE CLAMP NUT	1
112	877771	CLAMP RING	1
113	877774	GUIDE TUBE	1
114	645825-00	TUBE	1
115	879688	HEAD	1
116	877725	HEAD	1
117	877730	NYLON BUSHING	2
118	659373-00	CASING	1
119	877733	TUBE CLAMP PLATE	1
120	889303	TUBE SUPPORT HOUSING	1
121	884843	CLAMP	2

COPYRIGHT© 2005. All Rights Reserved.

Parts list, pricing, and availability subject to change. Please visit [www.walltools.com](http://www.walltools.com) for current parts information.

## Parts List for 7800 Type 1

Item Number	Part Number	Description	Qty Required
122	879737	CLAMP PLATE	1
123	879772	BELLOWS	1
124	684179	RETAINING RING	1
125	879685	GUIDE PIN (LONG)	3
126	879686	GUIDE PIN (SHORT)	1
127	899234	SUPPORT HOUSING	1
128	A01929	VACUUM HOSE	1
129	877731	SNAP-RING	1
130	887492	VACUUM ADPTR HSG SET	1
131	696667	RETAINING-RING	1
132	881789	BACK UP PAD	1
134	877738	PAD-CLAMP	1
135	877702	BRUSH/SKIRT	1
136	877757	NUT	1
137	810716	RELIEVER	1
138	879770	DUST PLUG	1
139	848565	SCREW	1
140	882187	SCREW	1
141	878813	SCREW	1
142	859384	SCREW	19
143	652776-00	LEAD	1
144	879769	O RING	1
145	695620	SEAL	1
146	659372-00	DRIVE SHAFT	1
147	882703	SCREW	1
148	847564	SNAP RING	1
149	811350	BAFFLE	1

COPYRIGHT© 2005. All Rights Reserved.

Parts list, pricing, and availability subject to change. Please visit [www.walltools.com](http://www.walltools.com) for current parts information.

## Parts List for 7800 Type 1

Item Number	Part Number	Description	Qty Required
151	876651	SCREW	1
153	877755	SPRING	1
154	877762	INSULATOR	1
155	694980	PUSH ON CLIP	1
156	864137	SCREW	1
157	877778	PIVOT PLATE	1
158	892780	SCREW	1
159	682063	CONNECTOR VS	1
160	802214	WASHER-LCK INT	1
161	883485	SCREW	1
162	000000-00	No Longer Available	1
163	884950	SCREW 230V	1
164	884951	TUBE INSULATOR	1
165	890249	TERMINAL BLOCK	1
167	39780	HOSE	1
167	877751	HOSE	1
167	877751	HOSE	1
168	877768	CORD TO HOSE STRAP	1
169	878499	TUBE GREASE	1
170	879751	LUBRICANT 4 LBS	1
171	000000-00	No Longer Available	1
172	875667	LUBRICANT-4LBS	1
173	882428	HOSE REDUCER	1
174	890961	HOSE CONNECTOR	1
175	899774	MOTOR ASSY - 120V	1
175	906841	MOTOR ASSY-230V	1
178	5140027-24	HOSE ADAPTER	1

COPYRIGHT© 2005. All Rights Reserved.

Parts list, pricing, and availability subject to change. Please visit [www.walltools.com](http://www.walltools.com) for current parts information.

## Parts List for 7800 Type 1

Item Number	Part Number	Description	Qty Required
856	877752	DUST BAG 2PK	1

COPYRIGHT© 2005. All Rights Reserved.

Parts list, pricing, and availability subject to change. Please visit [www.walltools.com](http://www.walltools.com) for current parts information.